

## CARBON FIBER BRAKE PAD & ROTOR SPECS

REV. 12/2015

### STRANGE CARBON PADS



PART	NEW	MINIMUM
L4050H	0.450"	0.200"
L4050H1	0.450"	0.200"
L4050H2	0.450"	0.200"
L4050H3	0.450"	0.200"
B1250P	0.460"	0.200"
B1250P1	0.460"	0.200"

### STRANGE CARBON ROTORS



PART	NEW	MINIMUM
10" Carbon Rotor (C1780)	0.375"	0.250"
11" Carbon Rotor (C1790)	0.460"	0.300"
11-1/2" Carbon Rotor (L4050B)	0.470"	0.325"

### MARK WILLIAMS CARBON PADS



PART	NEW	MINIMUM
Front Pads (73109)	0.375"	0.275"
Rear Pads (81022)	0.437"	0.300"

### MARK WILLIAMS CARBON ROTORS



PART	NEW	MINIMUM
Front Rotors (73104)	0.325"	0.275"
Rear Rotors (81004)	0.437"	0.300"

See page 2 for Lamb specs.





## LAMB CARBON BRAKE PAD & ROTOR SPECIFICATIONS

### FRONT 10.0" CARBON ROTOR & PADS (1620 & 1608 CALIPER)

**1300B ROTOR:**

NEW - .450"

MINIMUM - .350"

**732 INNER PAD:**

NEW - .650"

MINIMUM - .525"

**733 OUTER PAD:**

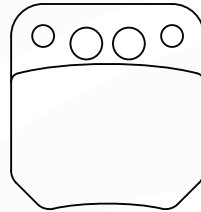
NEW - .425"

MINIMUM - .300"

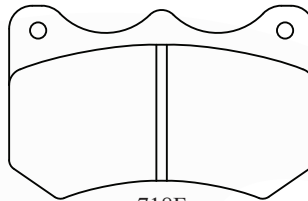
**718F PAD:**

NEW - .388"

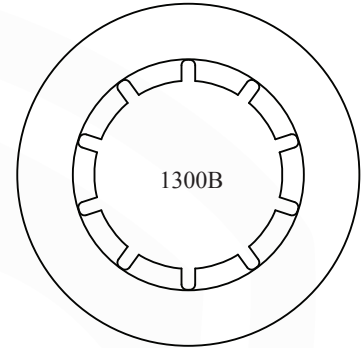
MINIMUM - .225"



732 (inner)  
733 (outer)



718F



### REAR 11.5" CARBON ROTOR & PADS (1602 CALIPER)

**1301B & 1302 ROTOR:**

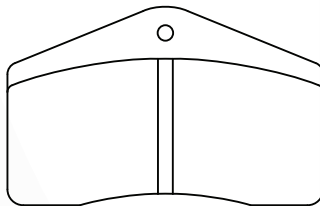
NEW - .450"

MINIMUM - .350"

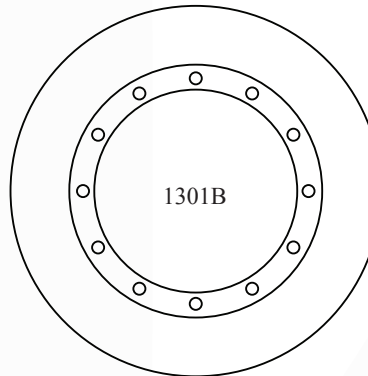
**718B PAD:**

NEW - .500"

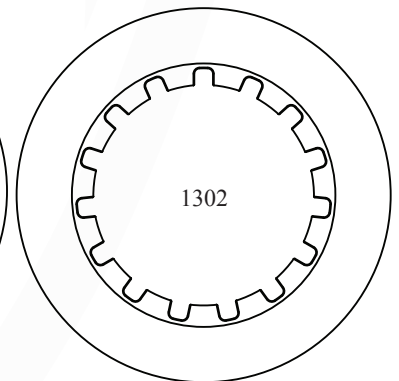
MINIMUM - .350"



718B



1301B



1302

### FRONT & REAR 11" CARBON ROTORS & PADS (1608 CALIPER)

**1301B-1 & 1302-1 ROTOR:**

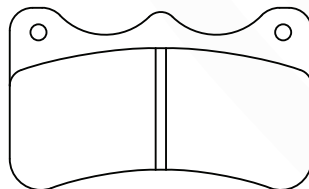
NEW - .450"

MINIMUM - .350"

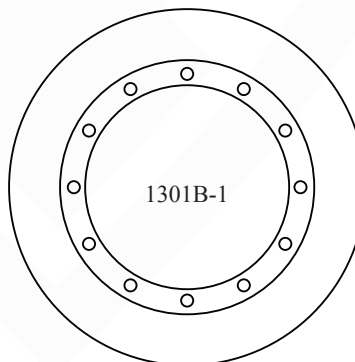
**718A PAD:**

NEW - .388"

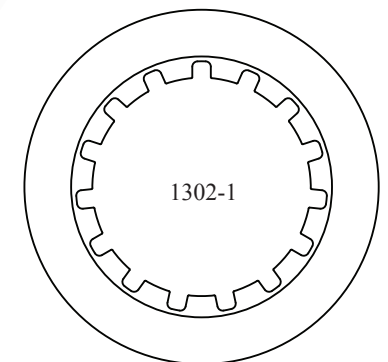
MINIMUM - .225"



718A



1301B-1



1302-1

- Front & rear rotors should be resurfaced at mid life (.410" approx. thickness). This will give better performance and extend the useful life.
- We surface the rotor at no charge if you are purchasing replacement pads.
- The front 1620 caliper only requires new inner pads. We will make new outer pads from your worn out inner pads.
- Do not attempt to surface yourself, as it requires special fixturing and tooling.

